

ST 060 105 8360

- cover plate Ø 124 mm
- rosette Ø 55 mm
- temperature control handle with safety limit stop at 38°C



Individual components of this set

You need the following components for this set

1x 36 416 977-00

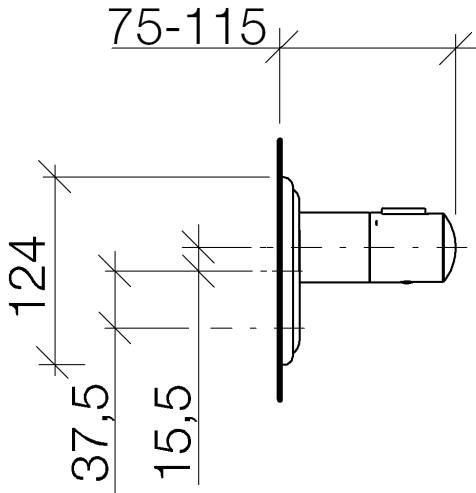


ST 060 105 8360



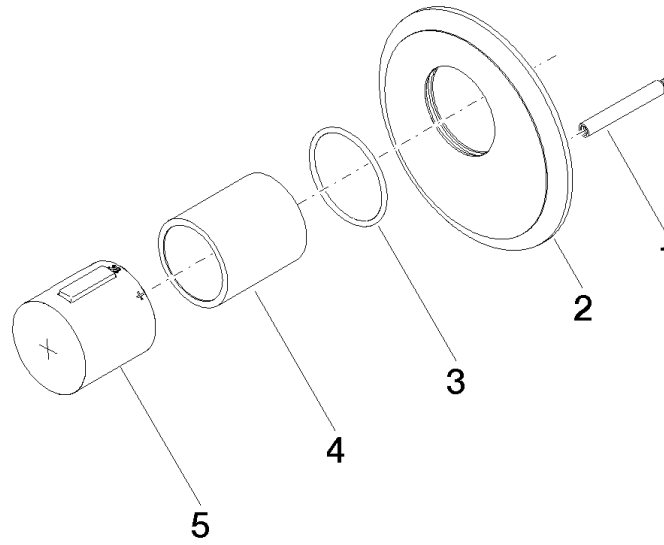
- cover plate Ø 124 mm
- temperature control handle with safety limit stop at 38°C

ST 060 105 8360



Certificates

IAPMO_4976 (4).



Spare parts list

No.	Item Number	Name	Quantity used	Delivery time
1	90 31 09 095 00 90	bar	1	2
2	09 11 02 163-00	cover	1	10
3	90 14 10 049 00 90	seal	1	2
4	90 21 02 112 00-00	sleeve	1	10
5	90 17 33 017 00-00	handle	1	10